

Batigo

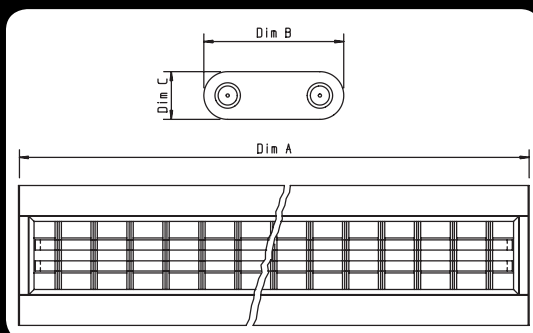
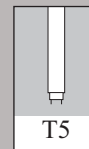
IP20 CE

The Batigo Range Is A Robust High Quality Fitting With The Flexibility Of Numerous Mounting, Directional Lighting And Continuous Run Configurations That Can Suit Any Application.

- Body constructed using a rounded, stylish extruded aluminium, powder coated white as standard.
- Leafspring retained Ig7 2007 (65 deg cut off) louvre for ease of fit and better security.
- Supplied as standard with leading brand high frequency control gear.
- Continuous run or stand alone mounting.
- Suspended version has direct & indirect light distribution as standard.

Available options

- Various energy saving dimmable options.
- Wiring configurations such as dual circuit, through wiring and various plug and socket choices all aimed at saving time and effort at installation stage.
- Suspended version with 1.5 Metre adjustable clutch mechanism suspension kit.
- Silver powder coated finish.



Order Code	Dim A	Dim B	Dim C	Lamps	Wattage
BAT128/54*	1200mm	220mm	75mm	1	28/54w T5
BAT228/54*	1200mm	220mm	75mm	2	28/54w T5
BAT135/49*	1500mm	220mm	75mm	1	35/49w T5
BAT235/49*	1500mm	220mm	75mm	2	35/49w T5

*Please state wattage when ordering

Control Suffix

DA	DALI Dimmable
DSI	DSI Dimmable
TD	Touch Dimmable
AD	1-10v Analogue Dimmable
EL	3 Hour Integral Emergency
ELST	Self Test Emergency 3 Hour

Body Style Suffix

S	Silver Body
SB	Solid Back (no uplight)

Additions

WS	Wire Suspension Kit
PP	Polycarb Back Cover